

# DHI-ISC-EAA8000

## EAS Acousto-Magnetic Antenna



- High performance, suitable for all kinds of retail stores.
- Wide detection distance, strong anti-interference ability, low false alarm rate.
- CCTV monitoring linkage.
- Easy for computer configuration, easy to install.
- According to the situation of the scene, two modes can be selected:
  - 1.Receive & Transmit mode;
  - 2.Integrated transceiver mode
- The primary and replica antenna are all integrated transceivers, and the detection effects of the primary and replica antenna are the same.

### System Overview

The development and production of EAS technology have effectively improved logistics management and reduced the loss of goods. It greatly improves the intelligence of commercial retail stores, helps reduce labor costs, and enhances economies of scale.

### Functions

#### Wide applicability

High detection rate, low false alarm rate; fully compatible with all AM labels and tags.

#### Sound and light adjustable

Alarm volume can be adjusted, flashing LED lights can be customized.

#### High stability

High precision, strong anti-interference ability, stable performance, no temperature drift.

#### High integration

Small size, short cable, excellent ability for anti high-frequency interference.

#### Energy saving

Low power operation design, environmental protection and energy saving.

#### Self-diagnosis function

Automatic diagnosis after power-on, effective identification system, and avoiding more than 95% of external interference sources.

### Scene

Suitable for supermarkets, shopping malls, clothing stores, pharmacies, luggage stores, boutique cosmetic stores, etc.

### Technical Specification

#### Performance parameters

Frequency	58KHz
Maximum detection distance of label	0.8m-0.9m
Maximum detection distance of tag	0.9m-1.4m
Volume	The alarm sound is greater than 90 decibels
Operating temperature	-5°C to 50°C
Operating humidity	0-90% (RH), non-condensing
Storage temperature	-20°C to 60°C

#### Regular parameters

Net Weight	18 kg (39.68 lb)
Gross weight	22 kg (48.50 lb)
Operating Voltage	220V~240V@50HZ/60HZ or 100V~130V@50HZ/60HZ with power adapter
Output	24VAC/3A or 12VAC/1A
Working power consumption	25W/piece
Antenna body material	Acrylic
Bottom shell material	ABS
Antenna body color	Transparent
Bottom shell color	White

Bare dimensions	1550mm×350mm×20mm (61.02"×13.78"×0.79")
Package dimensions	1640mm×488mm×145mm (64.57"×19.21"×5.71")

**Ports**

CH1/CH2/CH3	By default, CH1 is connected to the primary antenna and CH2 and CH3 can be connected to the replica antenna as needed
Power Port	1 Power input port
CCTV Port	1 Port per antenna
BEEP Port	1 Buzzer port
USB Port	1 USB port for software configuration
RESET	1 Physical button for system reset

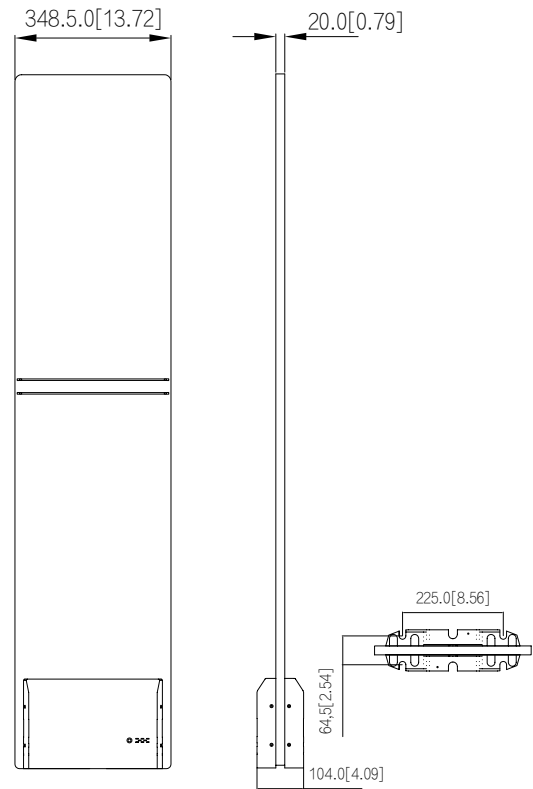
**Certifications**

Certifications	CE; FCC; ROHS; REACH
----------------	----------------------

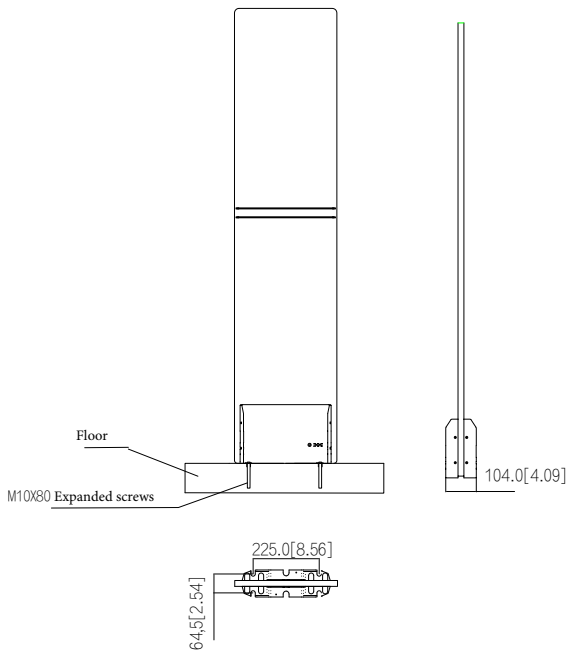
**Ordering Information**

Type	Model	Description
EAS Antenna	DHI-ISC-EAA8000-P	AM primary antenna
	DHI-ISC-EAA8000-R	AM replica antenna
Power Supply	DHI-ISC-EAP0000-110	100-130V adapter
	DHI-ISC-EAP0000-220	220-240V adapter

**Dimensions (mm[inch])**



**Installation**



**Application**

**Detection distance**

